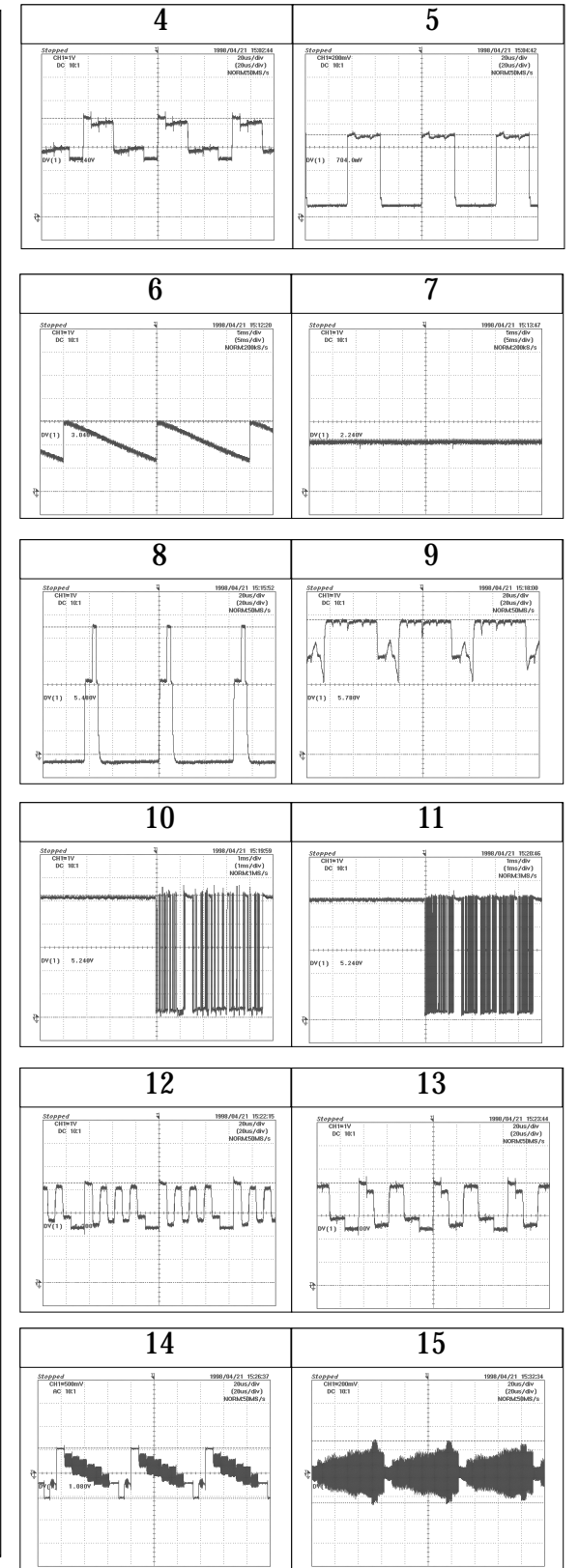
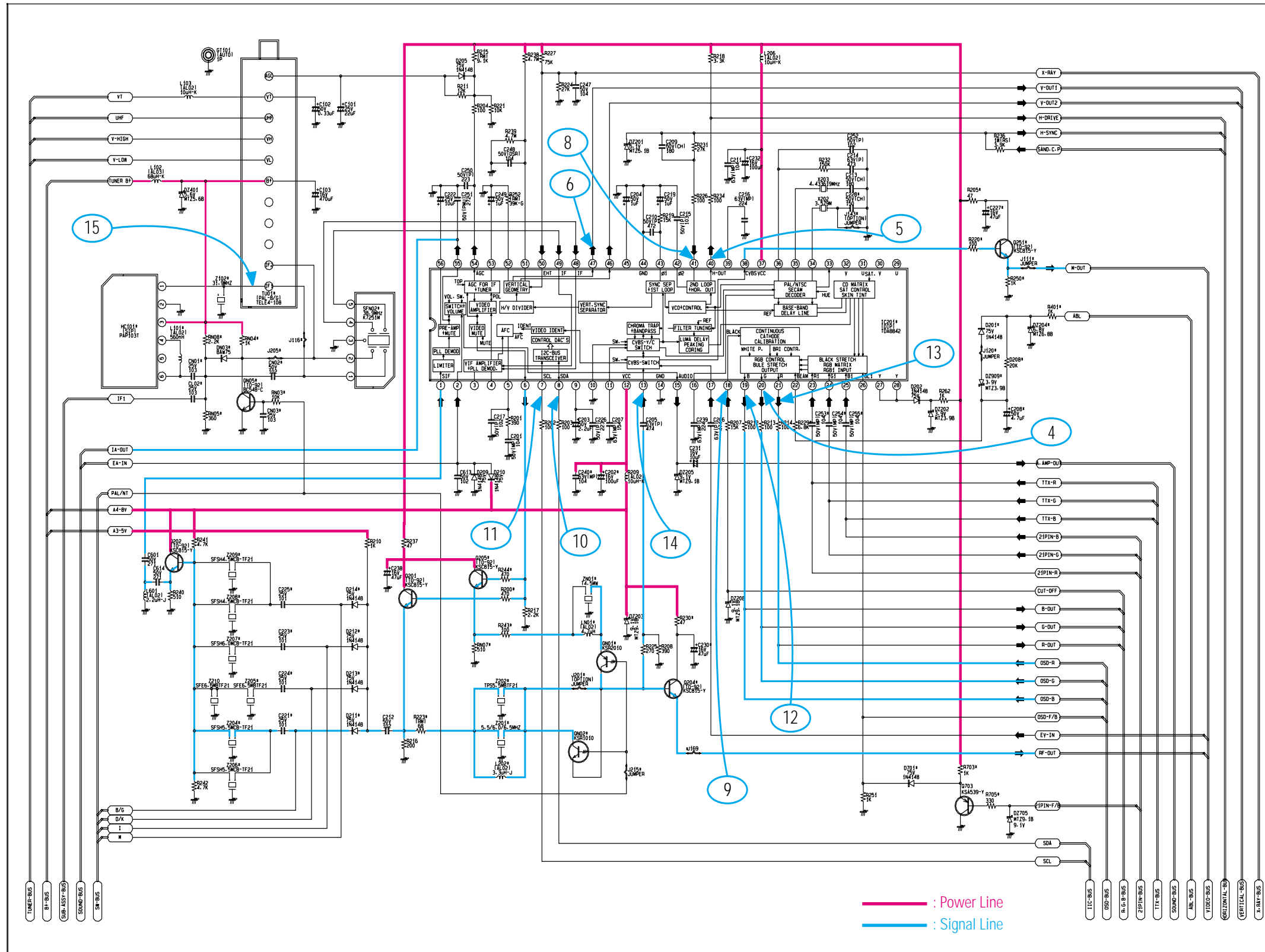
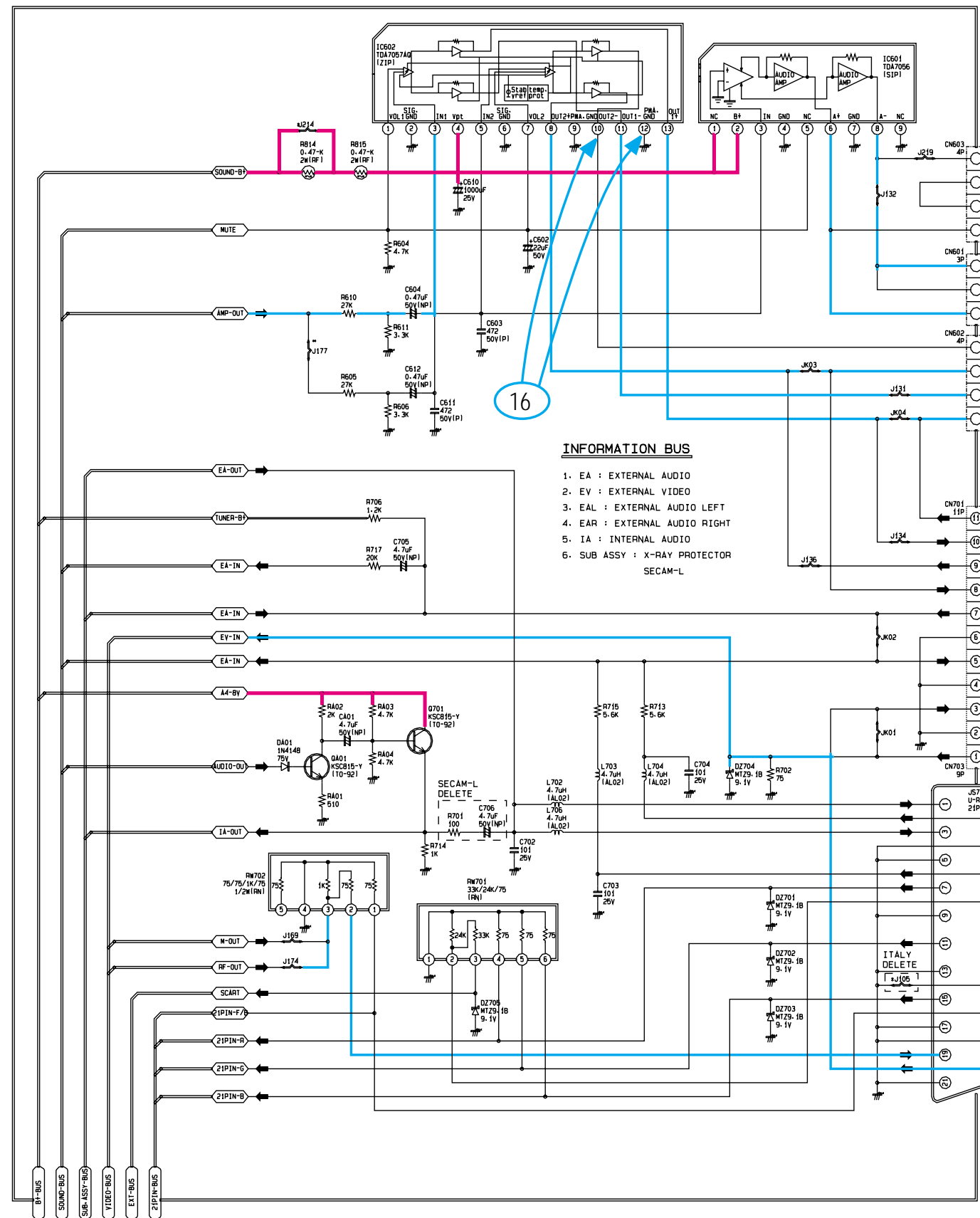


11. Schematic Diagrams

11-1 ONECHIP

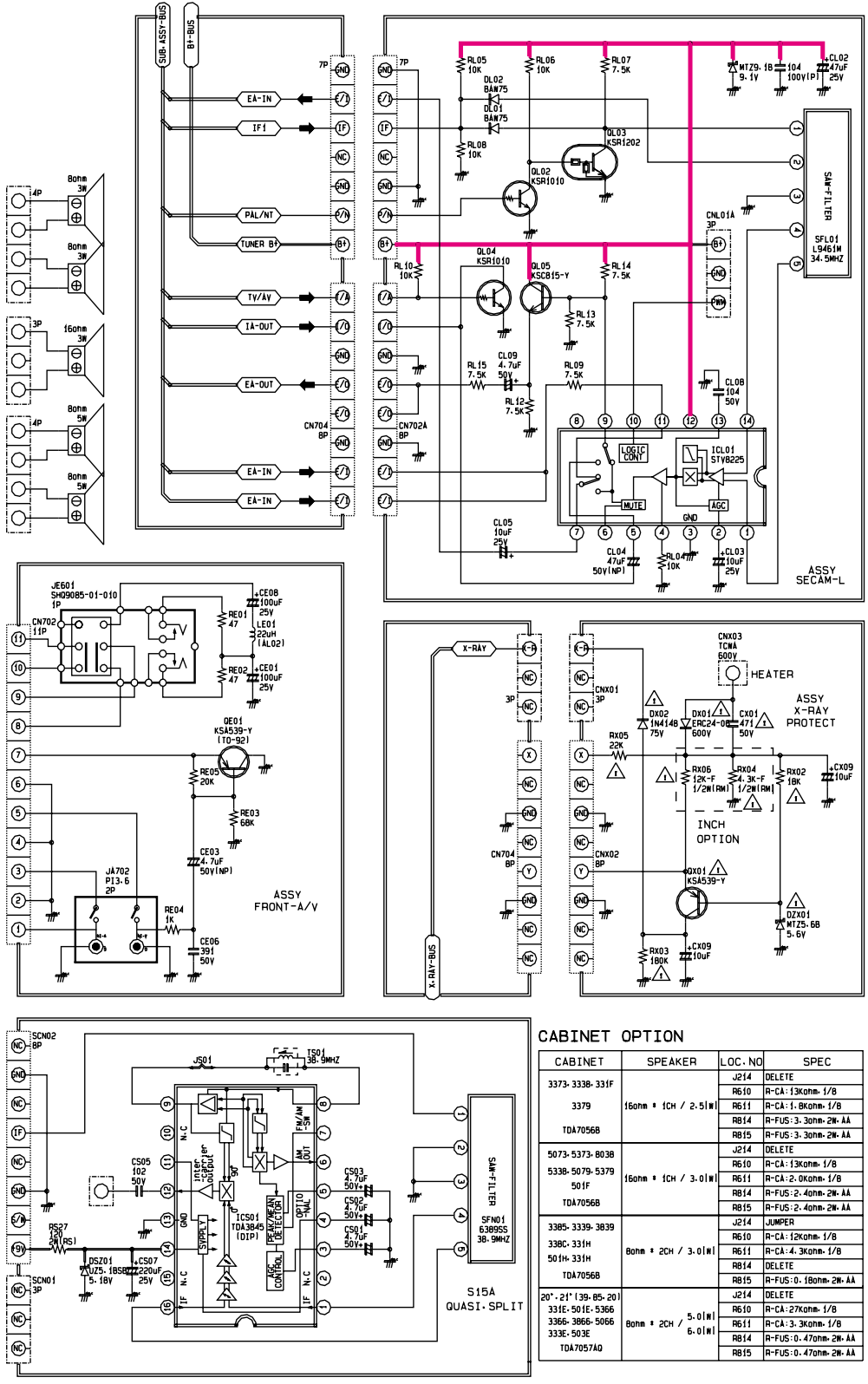


11-2 SOUND, EXT-A/V (Europe/Africa)



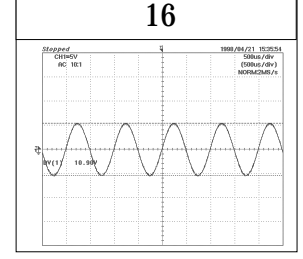
16

- INFORMATION BUS**
- EA : EXTERNAL AUDIO
 - EV : EXTERNAL VIDEO
 - EAL : EXTERNAL AUDIO LEFT
 - EAR : EXTERNAL AUDIO RIGHT
 - IA : INTERNAL AUDIO
 - SUB ASSY : X-RAY PROTECTOR SECAM-L



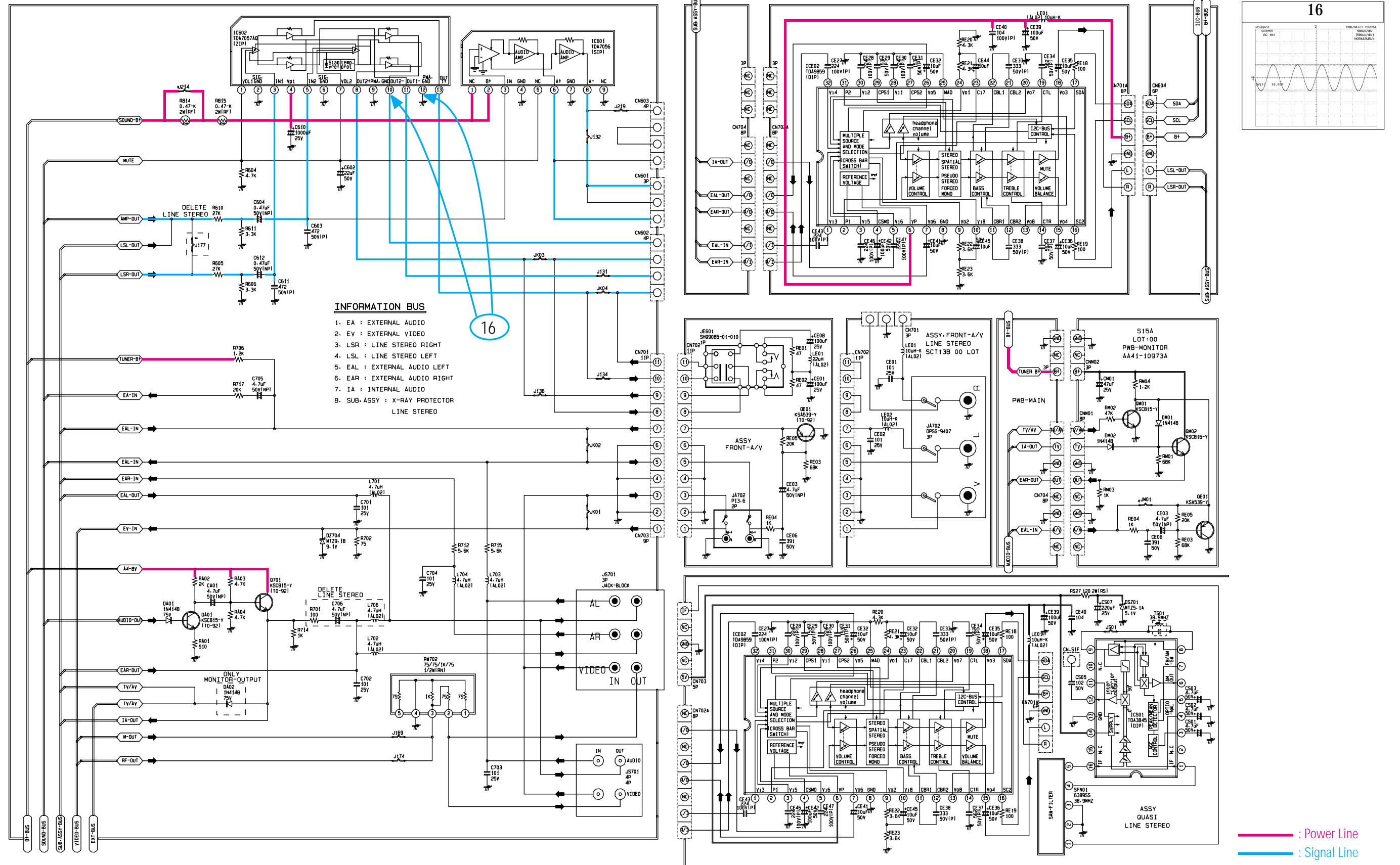
CABINET OPTION

CABINET	SPEAKER	LOC. NO	SPEC
3373-3338-331F		J214	DELETE
		R610	R-CA: 1.3k Ω -1/8
3379	16 Ω m * 1CH / 2.51m	R611	R-CA: 1.3k Ω -1/8
		R614	R-FUS: 3.3 Ω m-2W-AA
		R615	R-FUS: 3.3 Ω m-2W-AA
TDA7056B		J214	DELETE
5073-5373-803B		R610	R-CA: 1.3k Ω -1/8
5338-5079-5379	16 Ω m * 1CH / 3.01m	R611	R-CA: 2.0k Ω -1/8
501F		R614	R-FUS: 2.4 Ω m-2W-AA
TDA7056B		R615	R-FUS: 2.4 Ω m-2W-AA
3385-3339-3839		J214	JUMPER
338C-331H		R610	R-CA: 1.2k Ω -1/8
501H-331H	Bona * 2CH / 3.01m	R611	R-CA: 4.3k Ω -1/8
		R614	DELETE
TDA7056B		R615	R-FUS: 0.18 Ω m-2W-AA
20"-21" (39-85-20)		J214	DELETE
331E-501E-5366		R610	R-CA: 2.7k Ω -1/8
3366-3866-5066	Bona * 2CH / 5.01m	R611	R-CA: 3.3k Ω -1/8
333E-503E	Bona * 2CH / 6.01m	R614	R-FUS: 0.47 Ω m-2W-AA
TDA7057AD		R615	R-FUS: 0.47 Ω m-2W-AA

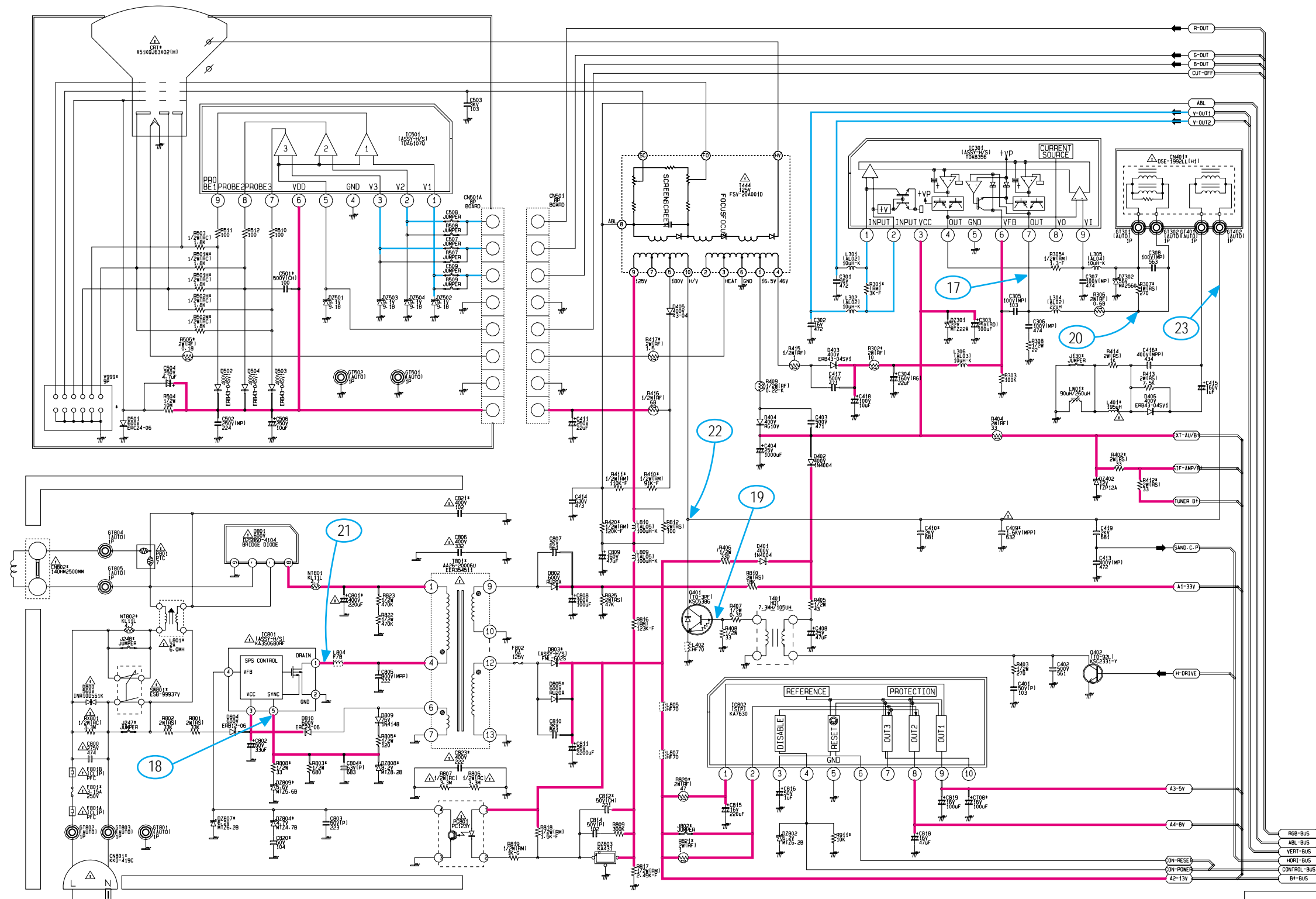


— : Power Line
— : Signal Line

11-3 SOUND, EXT-A/V (Middle East / Asia)



11-4 POWER / CRT / VERTICAL / HORIZONTAL

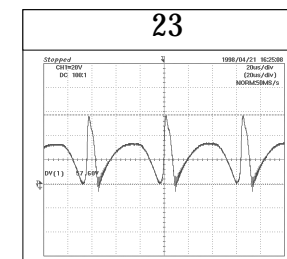
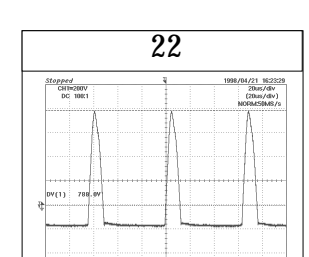
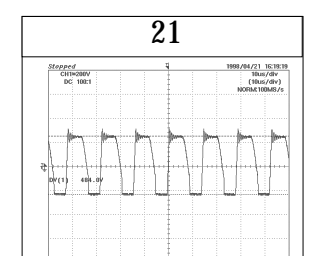
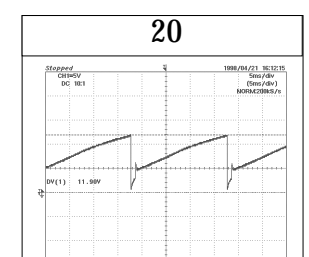
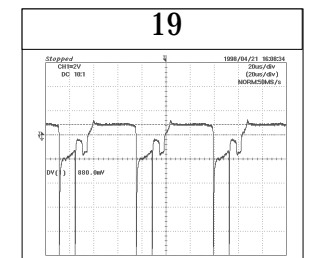
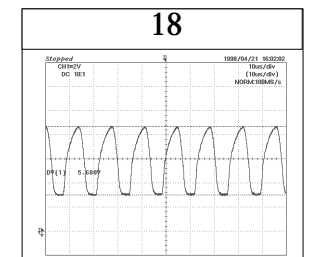
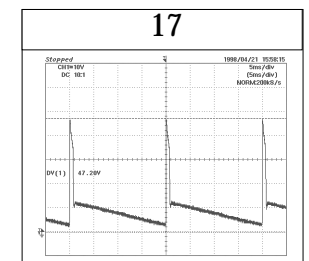


WARNING : BEFORE SERVICING THIS CHASSIS, READ THE 'X-RAY RADIATION PRECAUTION' 'SAEFTY PRECAUTION' AND PRODUCT SAFETY NOTICE' IN MANUAL.

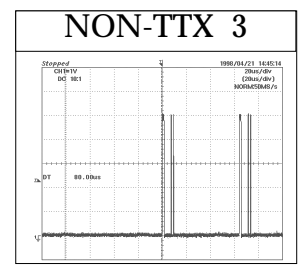
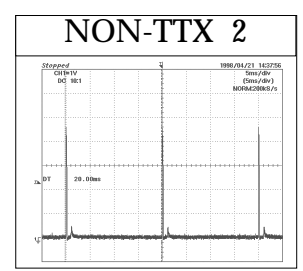
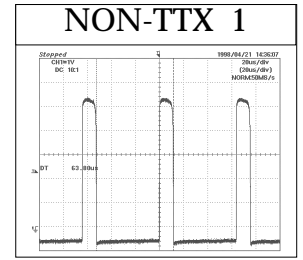
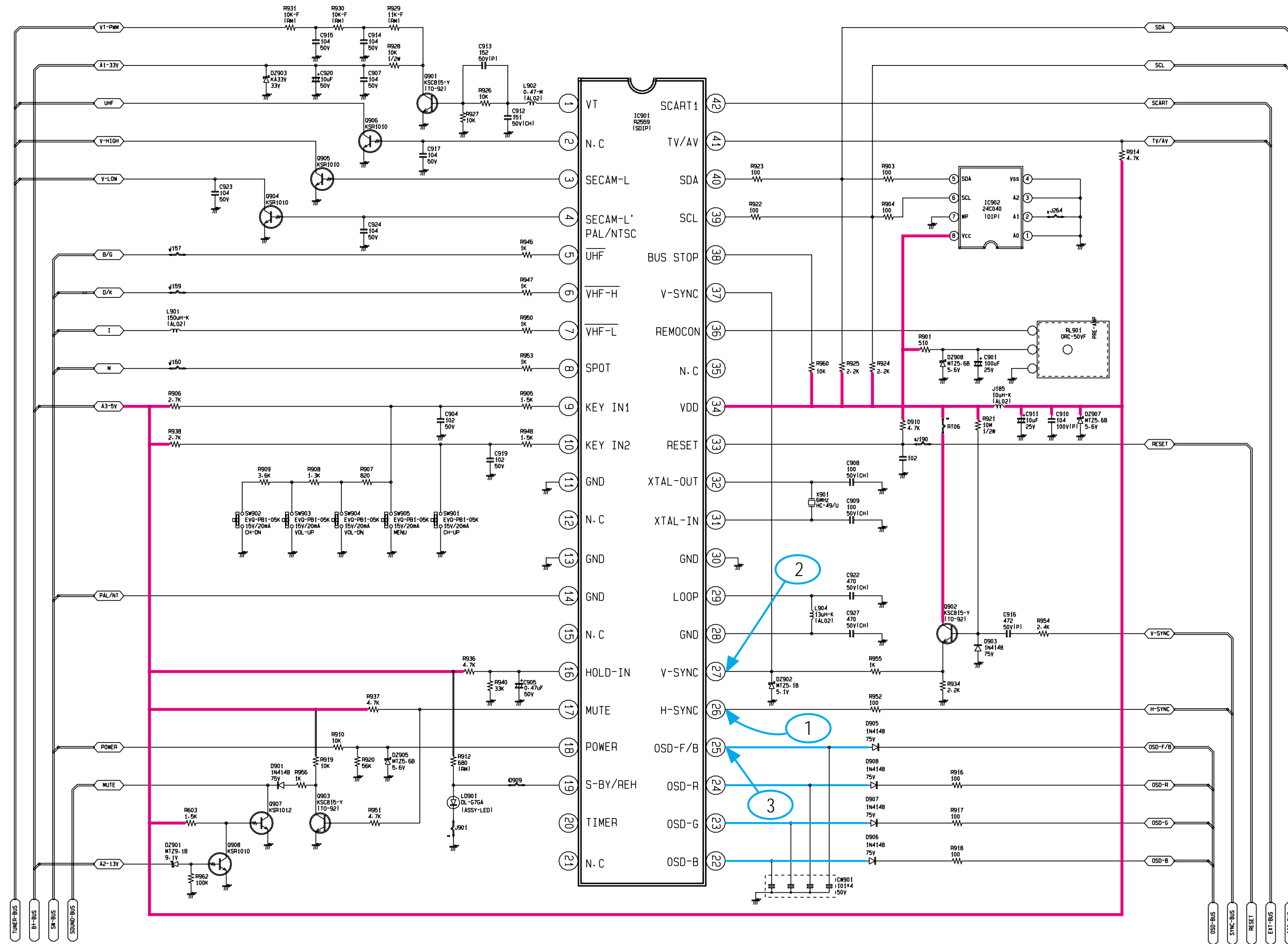
CAUTION : The shaded area in the schematic diagram and parts list designate components which have special characteristics. Important for Safety should be replaced only with types identical to those in the original circuit of specified in the parts list. Before replacing these components, read carefully the PRODUCT SAFETY NOTICE. in manual. Do not degrade the safety of the receiver through improper servicing.

WARNING : THIS RECEIVER CONTAINS SAFETY CRITICAL COMPONENTS. ALL PARTS SHOWN IN THE SHADED AREAS OF THE SCHEMATIC ARE SAFETY CRITICAL FOR CONTINUED SAFETY. REPLACE SAFETY CRITICAL COMPONENTS ONLY WITH MANUFACTURER'S RECOMMENDED PARTS. REFER TO PARTS LIST FOR EXACT REPLACEMENTS.

— : Power Line
 — : Signal Line

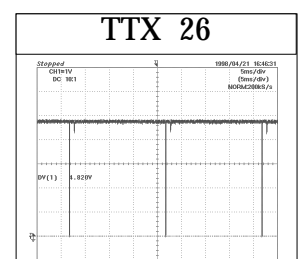
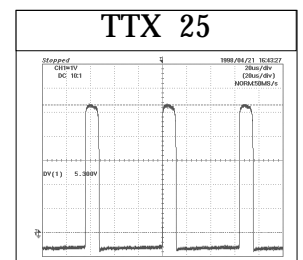
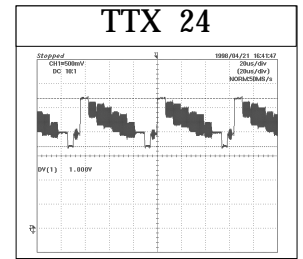
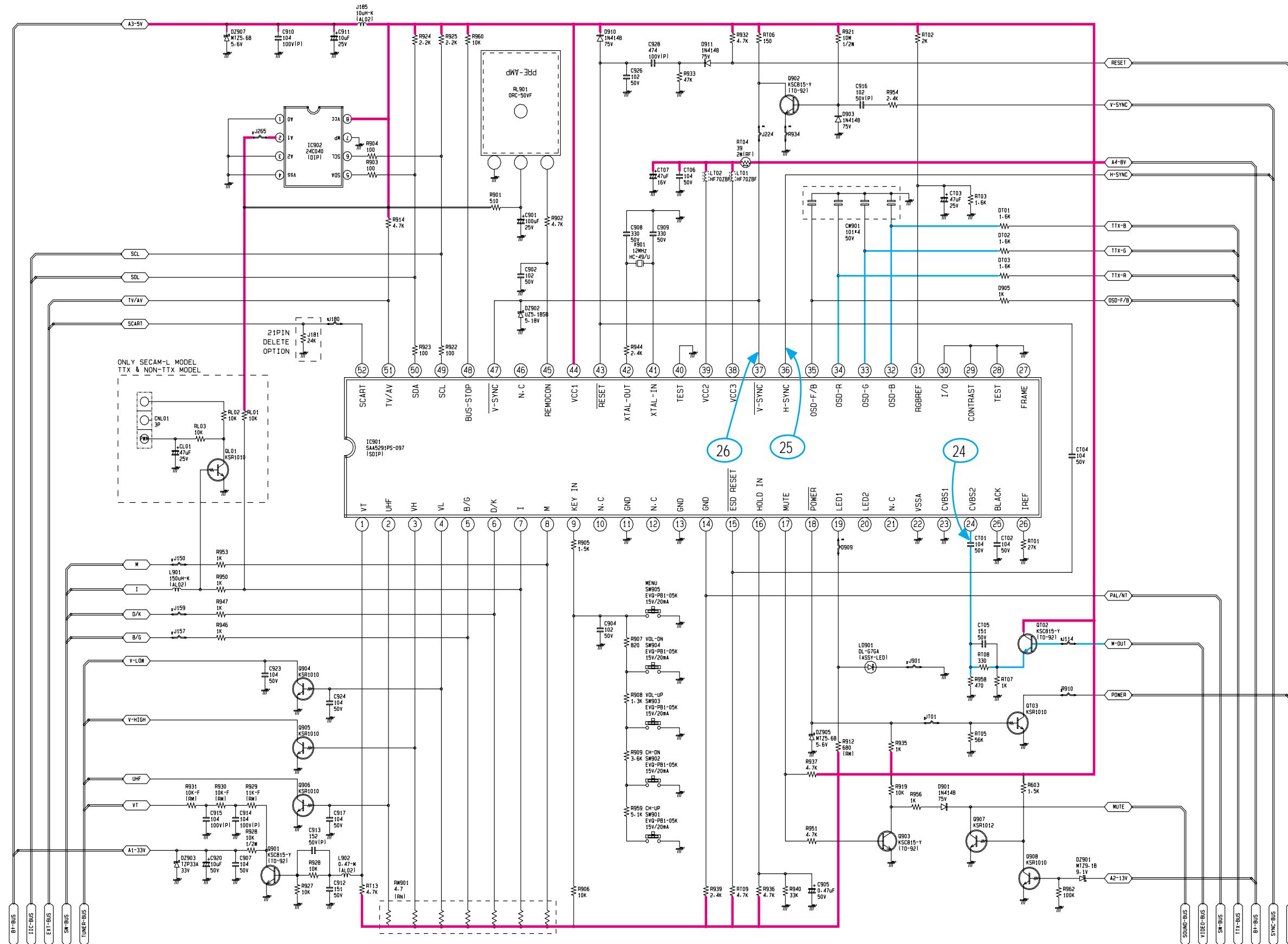


11-5 MICOM (NON-TTX)



— : Power Line
 — : Signal Line

11-6 MICOM (TTX)



— : Power Line
 — : Signal Line